



RCEL
Electric Motorized
Actuator
Model: 006/250



RCEL006 - RCEL250

Electric Actuator



- For On-Off and modulation
- 13 sizes with torques from 58 Nm to 2452 Nm
- Dome type position indicator for high visualization
- Heavy duty motor for duty cycle S2 100 % (RCEL006-009) and S2 50 % (RCEL 015 -250)
- Manual override with auto declutching lever for handwheel
- Auxiliary Limit Switches, 4 pcs standard
- Optional accessories available on request
- Robust actuator in anodized and epoxy-polyester coated aluminium
- Enclosure IP67. Optional Explosion Proof EEx d II B T4
- After sales support, technical advice, start-up, training and service

www.remotecontrol.se



Remote Control
www.remotecontrol.se
info@remotecontrol.se



Remote Control
www.remotecontrol.de
info@remotecontrol.de



Remote Control
www.remotecontrol.co.uk
info@remotecontrol.co.uk



Remote Control
www.remotecontrol.com.sg
info@remotecontrol.com.sg



Remote Control
www.rciactuators.com
sales@rciactuators.com

RCEL006 - RCEL250

Actuator Type	Torque Nm	1-phase	3-phase	24 VDC	EEx d IIB T4	Accessories				Mounting, mount kits act/valve ⁽²⁾
		230V 50 Hz	440V 50 Hz			PIU	CPT	PCU PB90	LCU	
RCEL 006, F07	58		N/A				(1)	(1)	(1)	
RCEL 009, F07	88						(1)	(1)	(1)	
RCEL 015, F07 + F10	147						(1)	(1)	(1)	
RCEL 019, F07 + F10	186						(1)	(1)	(1)	
RCEL 028, F10 + F12	274			N/A			(1)	(1)	(1)	
RCEL 038, F10 + F12	373			N/A			(1)	(1)	(1)	
RCEL 050, F10 + F12	490			N/A			(1)	(1)	(1)	
RCEL 060, F12 + F14	588			N/A			(1)	(1)	(1)	
RCEL 080, F12 + F14	785			N/A			(1)	(1)	(1)	
RCEL 100, F12 + F14	981			N/A			(1)	(1)	(1)	
RCEL 150, F14	1471			N/A	N/A		(1)	(1)	(1)	
RCEL 200, F16	1962			N/A	N/A		(1)	(1)	(1)	
RCEL 250, F16	2452			N/A	N/A		(1)	(1)	(1)	

- 1) Not EEx proof
- 2) Valve type, brand and size to be advised

ACCESSORIES

PIU	Potentiometer kit, 1 kOhm
CPT	Current Position Transmitter, 4-20 mA feed back signal
PCU PB90	Positioner with feed back signal 4-20 mA
LCU	Local Control Unit
Mounting / mounting kits actuator - valve	

We reserve the right to alterations without previous notice.



Remote Control
Kontrollvägen 15
SE-791 45 FALUN
Sweden
Tel +46 (0)23-587 00
Fax +46 (0)23-587 45
www.remotecontrol.se
info@remotecontrol.se



Remote Control
Gutenbergstr. 22
DE-41564 Kaarst-Büttgen
Germany
Tel +49 (0)2131-795 780
Fax +49 (0)2131-795 7615
www.remotecontrol.de



Remote Control
Unit 40, Trent Valley Works,
Station Road, Rugeley
Staffordshire WS15 3HB
England
Tel +44 (0)1889-576 888
Fax +44 (0)1889-577 676
www.remotecontrol.co.uk



Remote Control
87 Ubi Crescent, #01-07
Techniques Centre
Singapore 408560
Tel +65 6848 7150
Fax +65 6746 5815
www.remotecontrol.com.sg



Remote Control
PO Box 355
388 Dry Bridge Rd
North Kingstown, RI 02852
USA
Tel +1 (401) 294-1400
Fax +1 (401) 294-3388
www.rciactuators.com



RCEL Electric Actuators for 90° rotation

PERFORMANCE

Type	Max. torque (Nm)	Op. Time sek/90° 50HZ/60Hz	Max. stem dia.	Weight Kgs	No. of handle turns	Current draw max. (A) 1-ph 115V	Current draw max. (A) 1-ph 230V	Current draw max. (A) 3-ph 230V	Current draw max. (A) 3-ph 400V	Current draw max. (A) 3-ph 440V
RCEL006	58	16/13	22	9	8,5	1,7	0,6	N/A	N/A	N/A
RCEL009	88	16/13	22	10	10,0	1,7	0,7	0,6	0,4	0,7
RCEL015	147	20/17	22	12	10,5	3,3	1,0	1,2	0,7	0,7
RCEL019	186	20/17	22	13	12,5	3,3	1,0	1,2	0,7	0,7
RCEL028	274	24/20	32	17	12,5	3,3	1,0	1,2	0,7	0,7
RCEL038	373	24/20	32	18	12,5	4,0	2,3	1,3	1,2	0,9
RCEL050	490	24/20	32	19	12,5	5,2	2,8	2,4	1,5	1,3
RCEL060	588	29/24	42	22	14,5	5,2	2,8	2,4	1,5	1,3
RCEL080	785	29/24	42	23	14,5	N/A	4,5	4,4	2,9	2,3
RCEL100	981	29/24	42	25	14,5	N/A	4,5	4,4	2,9	2,3
RCEL150	1471	86/72	75	68	43,5	5,2	2,8	2,4	1,5	1,3
RCEL200	1962	86/72	75	70	43,5	N/A	4,5	4,4	2,9	2,3
RCEL250	2452	86/72	75	70	43,5	N/A	4,5	4,4	2,9	2,3

STANDARD SPECIFICATION

Enclosure	Watertight IP67, Nema 4 and 6
Ambient Temp	-30° to +70°C, 150°C/1 hr.
Standard wiring	Rated current 250VAC, 6A
Power Supply (50Hz/60Hz)	115/230VAC, 1Phase 230/400/440VAC, 3Phase
Control Power	115/230VAC, 1Phase, 50/60Hz
Torque Switches	Open/Close (RCEL015 up to RCEL250)
Limit Switches	Open/Close, 2+2 pcs
Stall Protection	Built-in Thermal Protection Cut-off at 120°C ±5°C/Reset at 77°C ±15°C
Travel Angle	90° ±5°
Indicator	Continuous Position Indicator
Manual Override	AUTO Decoupling Mechanism
Worm gear	Permanently lubricated and Seiflocking
Mechanical Stops	External Adjustable Limit Stops
Space Heater	20W (115/230VAC) Anti-Condensation
Conduit Entries	Two BSP 3/4"
Lubrication	Grease NLGI Grade 2 (EP-Type)
Materials	Steel, Aluminium Alloy, Al Bronze
External coating	Anodizing and Dry Powder Epoxy

OPTIONAL ITEMS

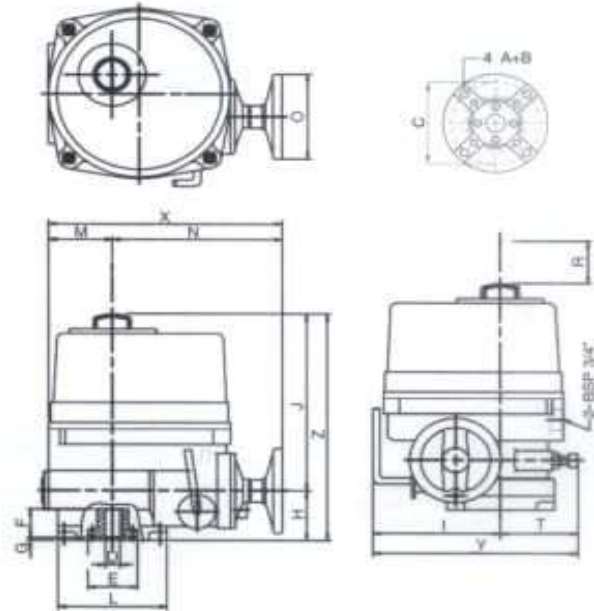
EXP	EEx d IIB T4 IP67: RCEL006-RCEL100
HLT	Ambient Temp. 300°C/1 hr.
DCM	24V DC Motor
EXT	Travel Angle 120°, 135°, 180°, 270°
LCU	Local Control Unit Local/Off/Remote Selector S/W Open/Stop/Close Selector S/W
PIU*	Potentiometer Unit 1k Ohm
CPT*	Current Position Transmitter Output: 4-20mA DC
PCU*	Proportional Control Unit Input: 4-20mA, 1-5V DC, 2-10V DC Output: 4-20mA DC
RBP	Rechargeable Battery Pack Power Failure Control Close/Open/Stay-Put
IMS	Integral Motor Starter Reversing Magnet Contacts and Transformer

*2 Limit Switches only, RCEL006-RCEL009.

RCEL006-RCEL038

Type	RCEL 006	RCEL 009	RCEL 015	RCEL 019	RCEL 028	RCEL 038
Flange ISO 5211	F07	F07	F10 F07	F10 F07	F12 F10	F12 F10
C	70	70	102	102	125	125
A	M8	M8	M10	M10	M12	M12
B	14	14	14	14	17	17
D (Max)	22	22	22	22	32	32
E	55	55	57	57	75	75
F	35	35	35	35	47	47
G	5	5	5	5	5	5
H	60	60	60	60	70	70
I	113	113	139	139	159	159
J	195	195	195	195	217	217
L	102	102	120	120	145	145
M	56	56	77	77	83	83
N	175	175	184	184	202	202
O	102	102	102	102	125	125
R	108	108	108	108	130	130
T	68	68	85	85	99	99
X	231	231	261	261	285	285
Y	181	181	224	224	258	258
Z	255	255	255	255	287	287

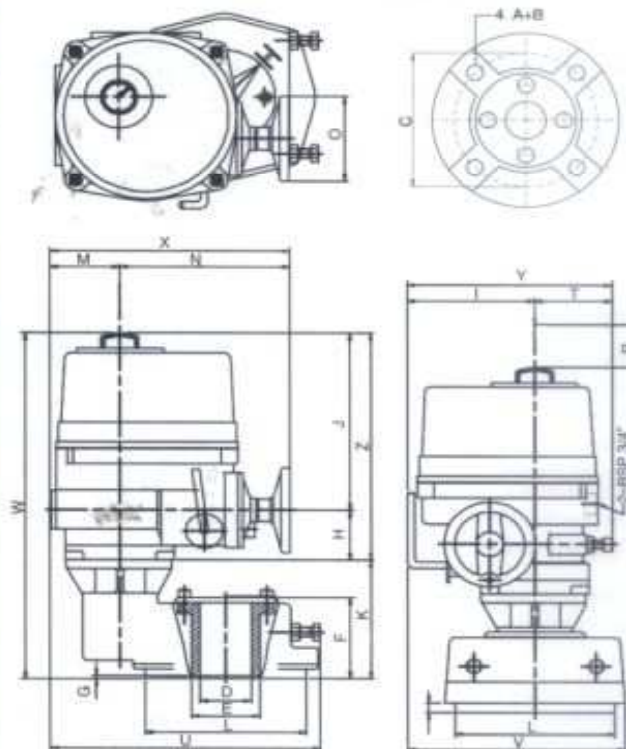
RCEL006-RCEL100



RCEL050-RCEL250

Type	RCEL 050	RCEL 060	RCEL 080	RCEL 100	RCEL 150	RCEL 200	RCEL 250
Flange ISO 5211	F12 F10	F14 F12	F14 F12	F14 F12	F14	F16	F16
C	125	140	140	140	140	165	165
A	M12	M16	M16	M16	M16	M20	M20
B	17	19	19	19	19	25	25
D (Max)	32	42	42	42	75	75	75
E	75	85	85	85	130	130	130
F	47	54	54	54	133	133	133
G	5	5	5	5	5	5	5
H	70	78	78	78	78	78	78
I	159	191	191	191	191	191	191
J	232	230	265	265	230	265	265
K	—	—	—	—	190	190	190
L	145	175	175	175	235	235	235
M	83	99	99	99	99	99	99
N	202	225	225	225	225	226	226
O	125	170	170	170	170	170	170
R	145	145	173	173	143	178	178
T	99	116	116	116	106	106	106
U	—	—	—	—	388	388	388
V	—	—	—	—	318	318	318
W	—	—	—	—	498	533	533
X	285	325	325	325	325	325	325
Y	258	307	307	307	297	297	297
Z	302	308	343	343	308	343	343

RCEL150-RCEL250



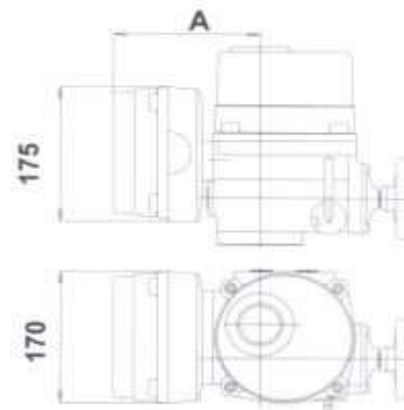
RCEL

With Local Control Unit LCU



- For electric actuators where the possibility to local operation is required
- Remote or local operation can be selected with key switch
- Local control by a 3-position switch
- The control switches are mounted in a separate housing which is attached to the actuator side

Actuator	A (LCU)
RCEL006	176
RCEL009	176
RCEL015	197
RCEL019	197
RCEL028	203
RCEL038	203
RCEL050	203
RCEL060	219



Note: Cannot be combined with PCU unit



Remote Control
www.remotecontrol.se
info@remotecontrol.se



Remote Control
www.remotecontrol.de
info@remotecontrol.de



Remote Control
www.remotecontrol.co.uk
info@remotecontrol.co.uk

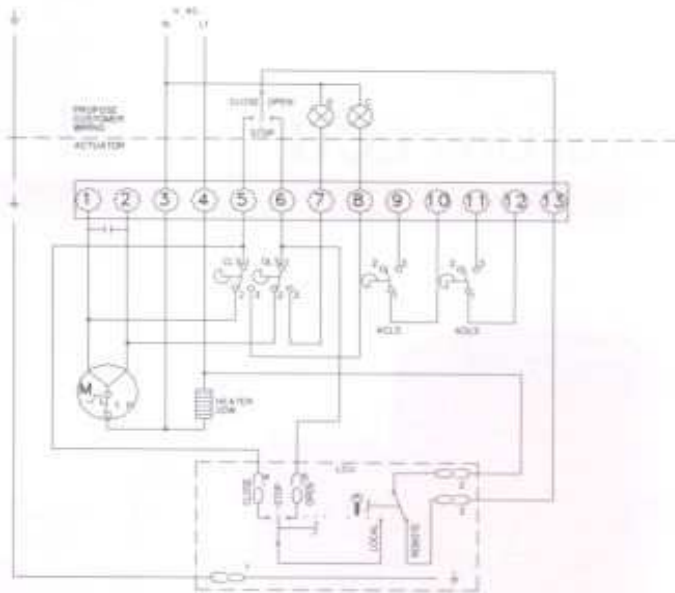


Remote Control
www.remotecontrol.com.sg
info@remotecontrol.com.sg



Remote Control
www.rciactuators.com
sales@rciactuators.com

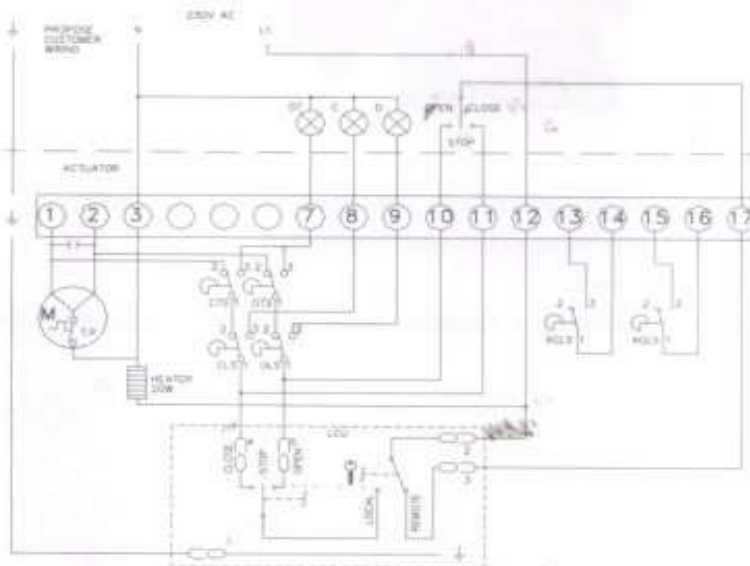
**RCEL
006-009**



CLS: Close Limit Switch
 OLS: Open Limit Switch
 CTS: Close Torque Limit Switch
 OTS: Open Torque Limit Switch
 ACLS: Aux. Close Limit Switch
 AOLS: Aux. Open Limit Switch
 TP: Thermal Protector

Each actuator should be powered through its own individual switch or relay contacts to prevent cross feed between two or more actuators.

**RCEL
015-250**



Remote Control
 Kontrollvägen 15
 SE-791 45 FALUN
 Sweden
 Tel +46 (0)23-587 00
 Fax +46 (0)23-587 45
 www.remotecontrol.se
 info@remotecontrol.se



Remote Control
 Gutenbergstr. 22
 DE-41564 Kaarst-Büttgen
 Germany
 Tel +49 (0)2131-795 760
 Fax +49 (0)2131-795 7615
 www.remotecontrol.de



Remote Control
 Unit 40, Trent Valley Works,
 Station Road, Rugeley
 Staffordshire WS15 3HB
 England
 Tel +44 (0)1889-576 888
 Fax +44 (0)1889-577 676
 www.remotecontrol.co.uk



Remote Control
 67 Ubi Crescent, #01-07
 Techniques Centre
 Singapore 408560
 Tel +65 6848 7150
 Fax +65 6746 5815
 www.remotecontrol.com.sg



Remote Control
 PO Box 355
 386 Dry Bridge Rd
 North Kingstown, RI 02852
 USA
 Tel +1 (401) 294-1400
 Fax +1 (401) 294-3388
 www.rciactuators.com

RCEL

with Proportional Control unit PCU PB90

- For RCEL006 - RCEL250
- 115V and 230V/50Hz, 1-phase design
- Positioner card PB90
- Potentiometer unit PIU. 1 KOhm for internal position feedback to PB90
- The electronic components are protected against dirt or similar

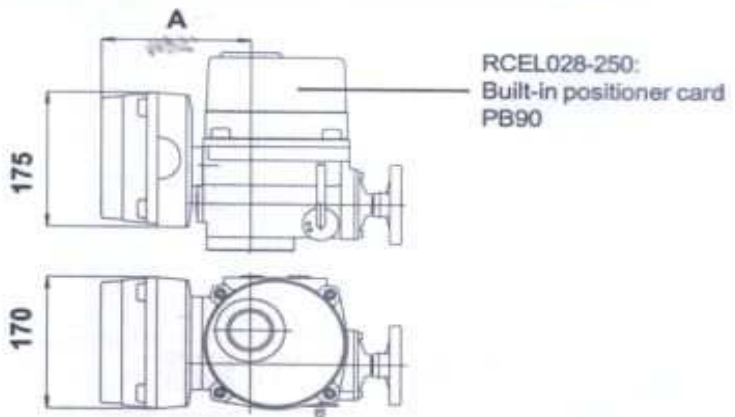


TECHNICAL DATA

Command signal input	4-20 mA, nominal input impedance 150 R, jumpers I1 and I2 0-10 V, nominal input impedance 260 K, jumper V1
Analogue feedback signal	4-20 mA, self powered, can drive up to 300 R
Fuse	3,15 AT 5x20 mm, mounted on the PB90 card
Hysteresis	0,1 % based on 25 %
Conversion	12 bit maximum. Normal range (4-20 mA) = 1/3200. (Performance only for the PB90 card. Characteristics of feedback element and actuator system response affect the true performance).

Actuator	A (PCU)
RCEL006	176
RCEL009	176
RCEL015	197
RCEL019	197

Note: Cannot be combined with LCU (all actuator sizes).



www.remotecontrol.se



Remote Control
www.remotecontrol.se
info@remotecontrol.se



Remote Control
www.remotecontrol.de
info@remotecontrol.de



Remote Control
www.remotecontrol.co.uk
info@remotecontrol.co.uk

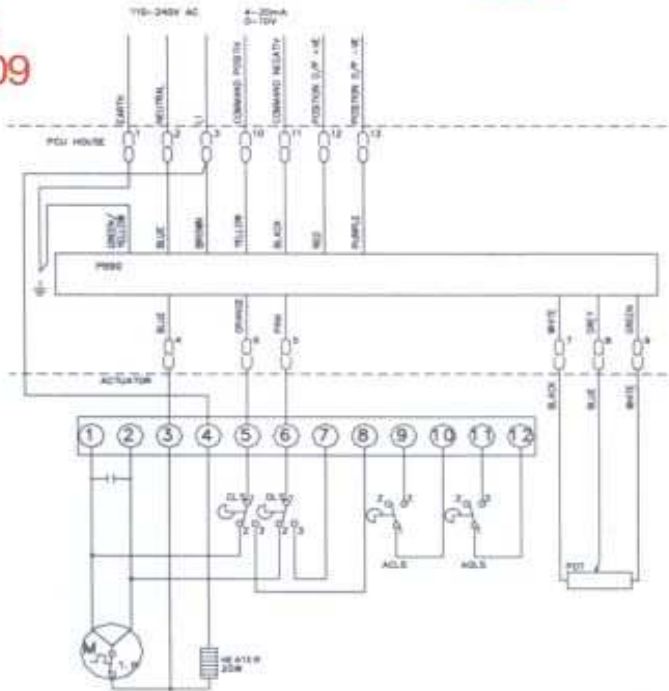


Remote Control
www.remotecontrol.com.sg
info@remotecontrol.com.sg



Remote Control
www.rciactuators.com
sales@rciactuators.com

RCEL
006-009

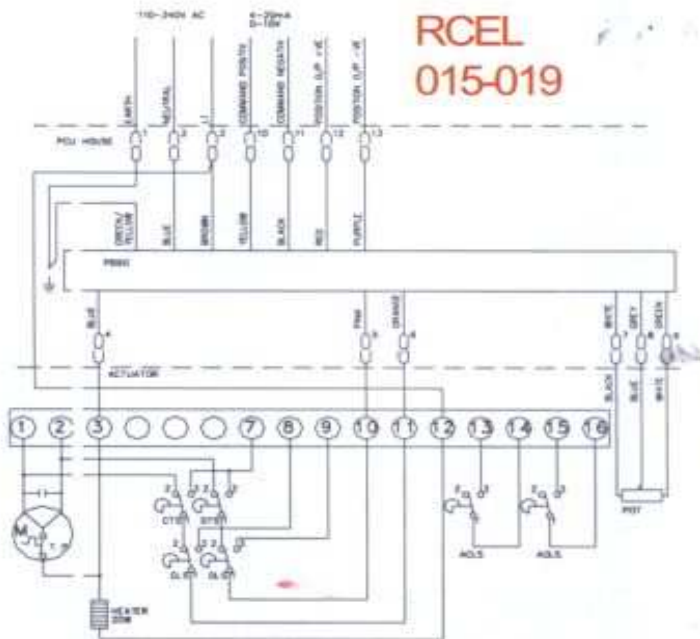


CLS: Close Limit Switch
 OLS: Open Limit Switch
 CTS: Close Torque Switch
 OTS: Open Torque Switch
 ACLS: Aux. Close Limit Switch
 AOLS: Aux. Open Limit Switch
 POT: Potentiometer
 PB90: Positioning Board

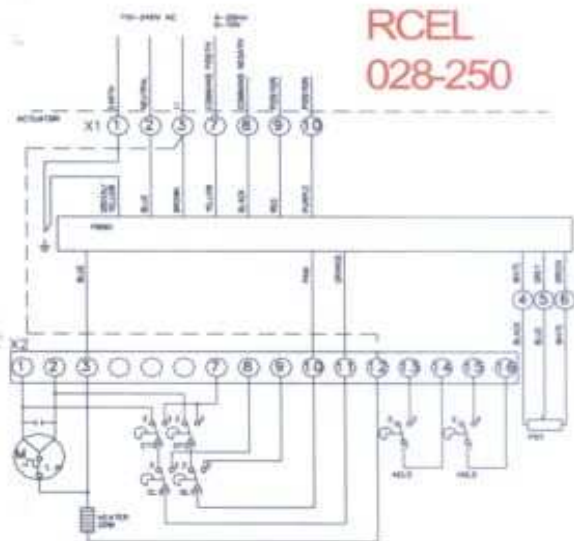
Each actuator should be powered through its own individual switch or relay contacts to prevent cross feed between two or more actuators.

Ref No 457C / Art No 980457

RCEL
015-019



RCEL
028-250



Remote Control
 Kontrollvägen 15
 SE-791 45 FALUN
 Sweden
 Tel +46 (0)23-587 00
 Fax +46 (0)23-587 45
 www.remotecontrol.se
 info@remotecontrol.se



Remote Control
 Gutenbergstr. 22
 DE-41564 Kaarst-Büttgen
 Germany
 Tel +49 (0)2131-795 760
 Fax +49 (0)2131-795 7615
 www.remotecontrol.de



Remote Control
 Unit 40, Trent Valley Works,
 Station Road, Rugeley
 Staffordshire WS15 3HB
 England
 Tel +44 (0)1889-576 888
 Fax +44 (0)1889-577 676
 www.remotecontrol.co.uk



Remote Control
 67 Ubi Crescent, #01-07
 Techniques Centre
 Singapore 408560
 Tel +65 6848 7150
 Fax +65 6748 5815
 www.remotecontrol.com.sg



Remote Control
 PO Box 355
 386 Dry Bridge Rd
 North Kingstown, RI 02852
 USA
 Tel +1 (401) 294-1400
 Fax +1 (401) 294-3388
 www.rciactuators.com



Potentiometer unit PIU



For continuous position feedback
from 0° to 90°

- ▶ For RCEL006 - RCEL250
- ▶ The whole unit is built into the actuator
- ▶ Potentiometer 1 Kohm, senses the actuator position during the whole turning movement
- ▶ Mounting details included

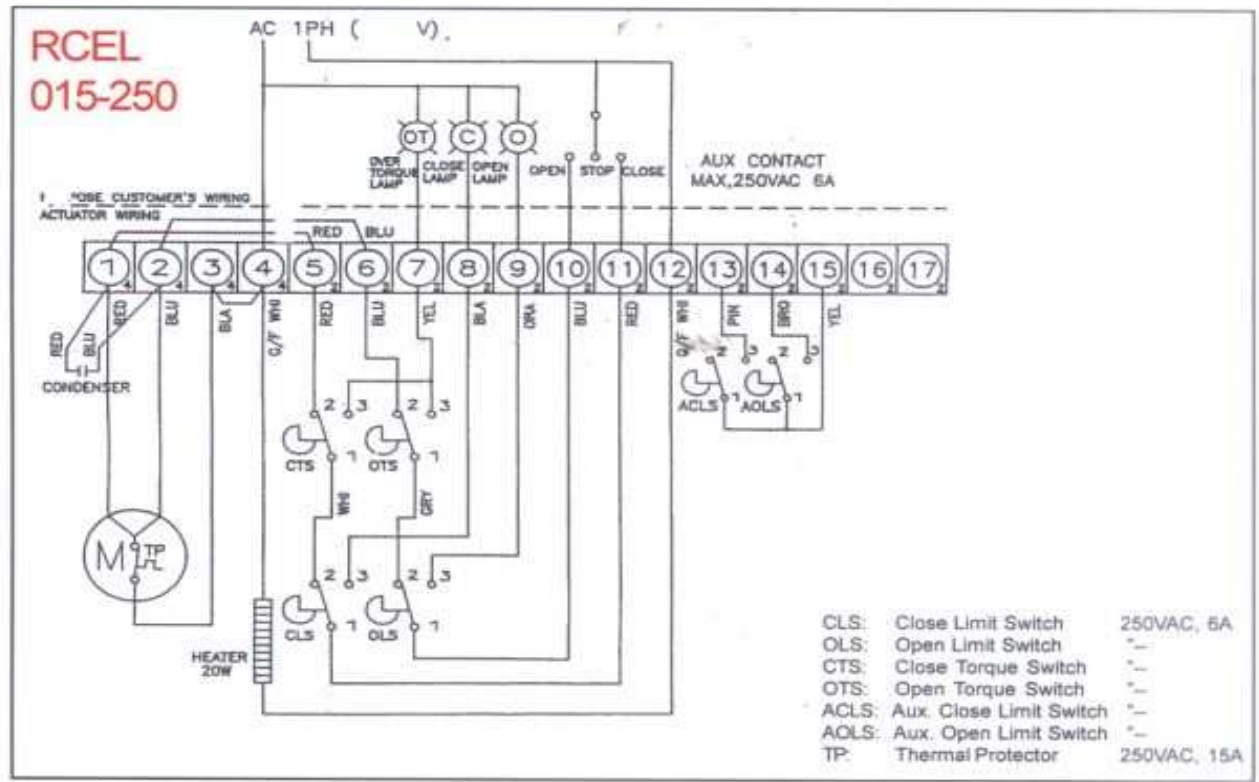
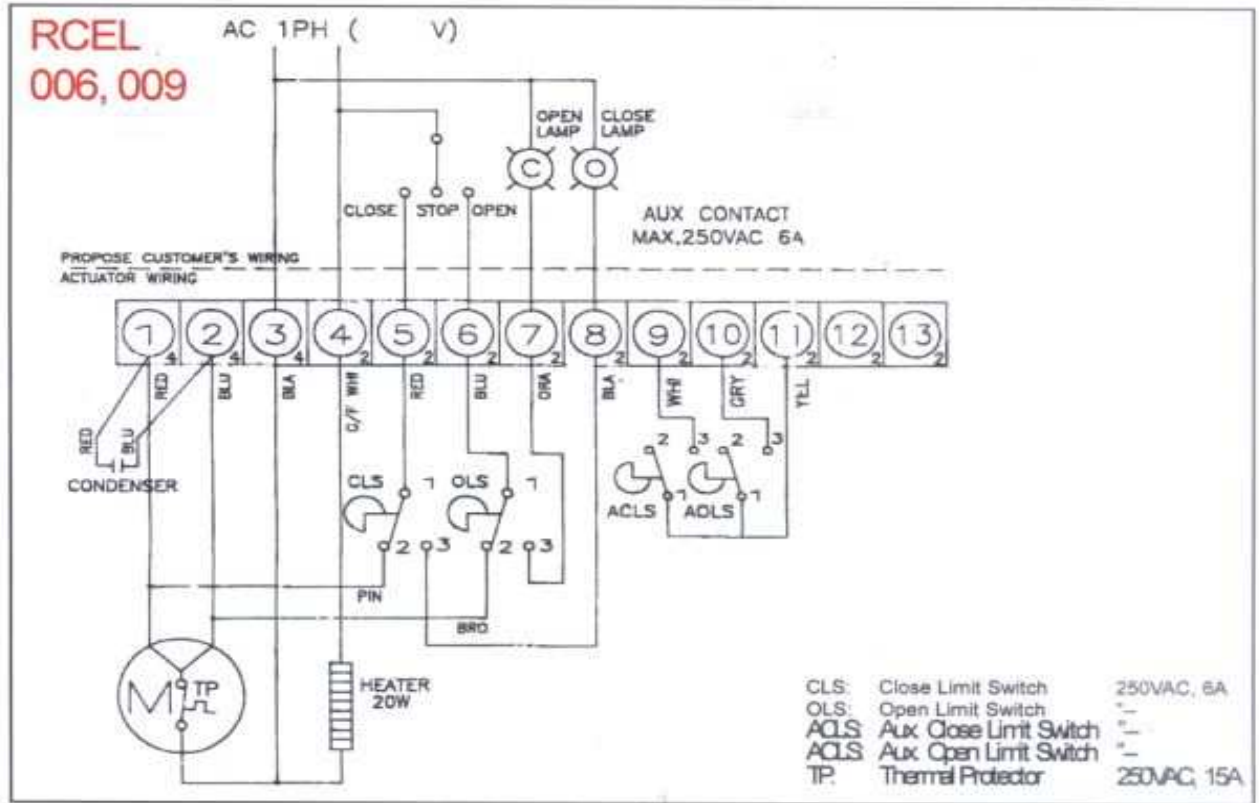
TECHNICAL DATA

Resistance	1 Kohm	Linearity	±1 %
Resistance tolerance	± 20 %	Max load	0,5 W at +40 °C

Note: Cannot be combined with ALS unit in RCEL006 - RCEL009



Remote Control Sweden AB, Kontrollvägen 15, SE-791 45 FALUN, Sweden
Tel +46 (0)23-567 00, Fax +46 (0)23-567 45
rc.falun@remotecontrol.se, www.remotecontrol.se



Each actuator should be powered through its own individual switch or relay contacts to prevent cross feed between two or more actuators.

RCEL

Auxiliary limit switches ALS



- For end position indication of open/closed or several fixed positions
- Two additional limit switches
- Mounting details included
- The whole unit is built into the actuator
- Potential-free voltage, i.e. the power supply is independent on the actuator supply voltage, for feedback to a PLC, as an example

TECHNICAL DATA

Function	SPDT	Max power supply	6 A, 250 VAC 0,6 A, 125 VDC 0,3 A, 250 VDC
----------	------	------------------	--

Note: Cannot be combined with PIU unit in RCEL006 - RCEL009

www.remotecontrol.se



Remote Control
www.remotecontrol.se
info@remotecontrol.se



Remote Control
www.remotecontrol.de
info@remotecontrol.de



Remote Control
www.remotecontrol.co.uk
info@remotecontrol.co.uk



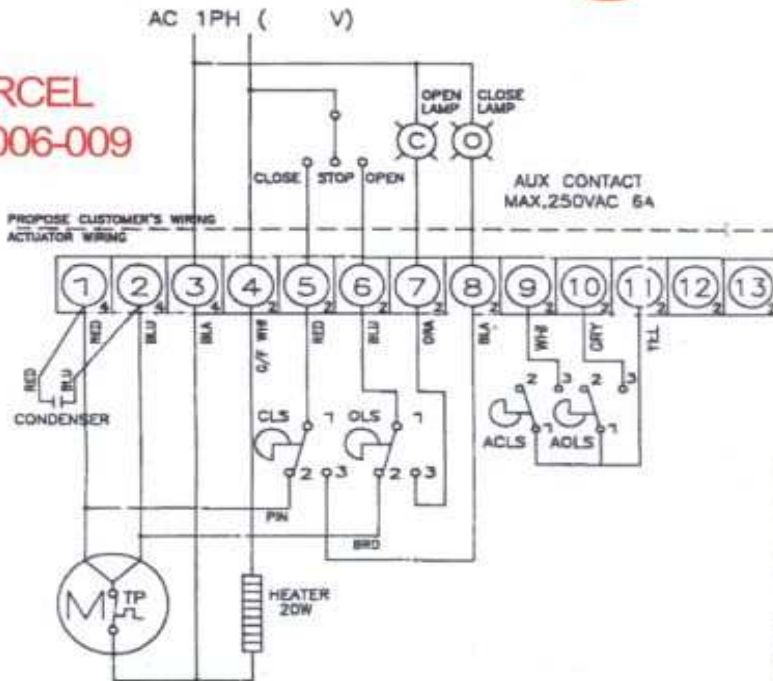
Remote Control
www.remotecontrol.com.sg
info@remotecontrol.com.sg



Remote Control
www.rciactuators.com
sales@rciactuators.com

REMOTE CONTROL

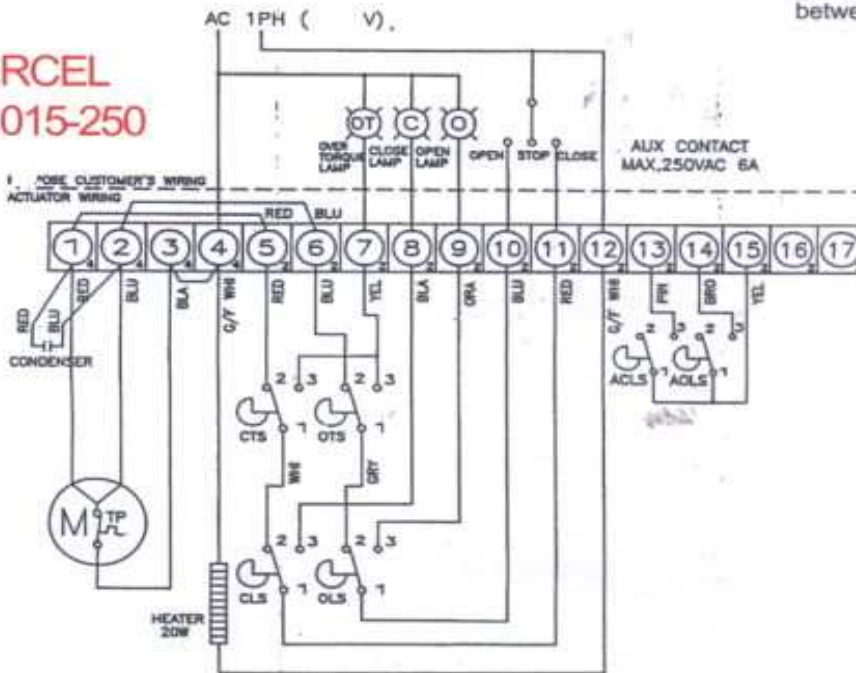
RCEL
006-009



- CLS: Close Limit Switch 250VAC, 6A
- OLS: Open Limit Switch -
- CTS: Close Torque Switch -
- OTS: Open Torque Switch -
- ACLS: Aux. Close Limit Switch -
- AOLS: Aux. Open Limit Switch -
- TP: Thermal Protector 250VAC, 15A

Each actuator should be powered through its own individual switch or relay contacts to prevent cross feed between two or more actuators.

RCEL
015-250



Remote Control
Kontrollvägen 15
SE-791 45 FALUN
Sweden
Tel +46 (0)23-587 00
Fax +46 (0)23-587 45
www.remotecontrol.se
info@remotecontrol.se



Remote Control
Gutenbergstr. 22
DE-41564 Kaarst-Büttgen
Germany
Tel +49 (0)2131-795 760
Fax +49 (0)2131-795 7615
www.remotecontrol.de



Remote Control
Unit 40, Trent Valley Works,
Station Road, Rugeley
Staffordshire WS15 3HB
England
Tel +44 (0)1889-576 888
Fax +44 (0)1889-577 676
www.remotecontrol.co.uk



Remote Control
67 Ubi Crescent, #01-07
Techniques Centre
Singapore 408560
Tel +65 6948 7150
Fax +65 6746 5815
www.remotecontrol.com.sg



Remote Control
PO Box 355
396 Dry Bridges Rd
North Kingstown, RI 02852
USA
Tel +1 (401) 294-1400
Fax +1 (401) 294-3388
www.rciactuators.com