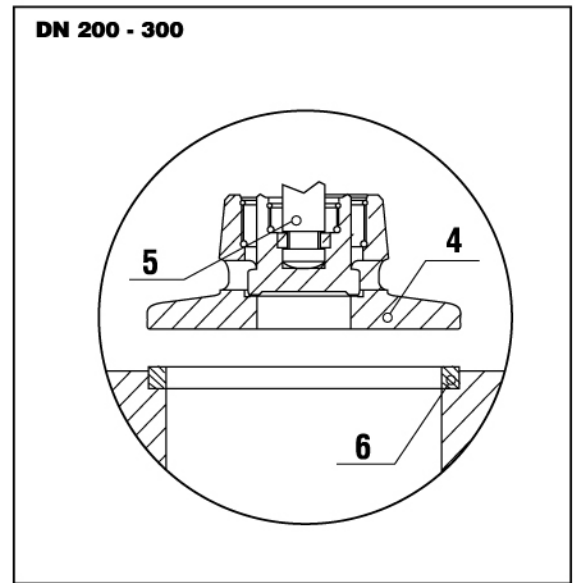


PN6, PN16			On customer's request						
DN	Dk	□ s			Fig. 215.06	Fig. 216.06	Fig. 215.08	Fig. 216.08	
mm									
15	100	9			5	5	5	5	
20	100	9			4	4	4	4	
25	120	11			EPDM	EPDM	PTFE	PTFE	
32	120	11			6	6	6	6	
40	160	13							
50	160	13							
65	180	14							
80	200	16							
100	250	17							
125	250	17							
150	320	19							
200	360	24							
250	360	27							
300	500	27							
Max. working temperature			120°C		200°C				

PN6, PN16		DN 15 - 80
Special orders on customer's request		
Fig. 215.51		
	Valve actuator Electromechanical actuator : ZPA NOVA PAKA, typ ZEPADYN	
Data to be discussed with ARITA		



TECHNICAL DATA

	PN6	PN16	PN40
Pressure test of the body	0.9 MPa	2.4 MPa	6 MPa
Pressure of the closure	0.6 MPa	1.76 MPa	4.4 MPa
Flanges drilled	ISO 7005-2: 1998 (PN-85/H-74306, DIN 2501)		
Face to face length	PN-85/M-74005 (DIN 3202 T1 Reihe F1)		
Flange type	B → PN - EN 1092-2 / DIN EN 1092-2 C → DIN 2526		

DIN EN 1092-2: 1997							
Pressure - temperature							
250 (GG25)				400-18 (GGG40.3)		GS-C25 (1.0619)	
PN6		PN16		PN16		PN40	
°C	bar	°C	bar	°C	bar	°C	bar
-10	6	-10	16	-10	16	-50	-
120	6	120	16	120	16	-20	40
150	5.4	150	14.4	150	15.5	120	40
180	5	180	13.4	200	14.7	200	35
200	4.4	200	12.8	250	13.9	250	32
230	4.4	230	11.8	300	12.8	300	28
250	4.2	250	11.2	350	11.2	350	24
300	3.6	300	9.6			400	21

ORDERING : When ordering please specify : Fig., PN and DN.
 These data are for information only. Our marketing department provides you with detailed specifications.

Distributed by :

