



**RCC 200  
Pneumatic Actuator  
For  
Offshore &  
Arduous condition**





# RCC200

Pneumatic actuator for offshore and arduous conditions.



## Technical data

- Pneumatic Quarter turn actuator
- Type RCC200-DA  
Double acting
- Type RCC200-SR  
Single acting with spring return
- Max working pressure:  
10 bar / 0,1 MPa / 145 psi
- Operating Media: Air or inert gases. (on request also low-pressure hydraulics)
- Temperature range:  
-20° celcius - +80° celcius.  
(Actuators for other temperatures can be delivered on request.)
- Material : Body in Carbon steel coated with epoxy, shaft in stainless steel , cylinder surface inside treated with PTFE.
- Connections comply with  
DIN 3337/ISO 5211,  
VDI/VDE 3845
- Torque range at 6 bar air pressure:  
Double acting 38-910 Nm.  
Spring return 12-305 Nm.

Remote Control RCC200 pneumatic steel epoxy coated actuator for offshore, petrochemical and other industrial hard conditions.

RCC200-DA/SR are available in six different sizes.  
Connections according to DIN/ISO 5211 and VDI/VDE 3845.

Remote Control has for 40 years manufactured high-quality actuators. Part of challenge is to develop solutions for situations where extremely high demands are made on functions and safety.

[www.remotecontrol.se](http://www.remotecontrol.se)



Remote Control  
[www.remotecontrol.se](http://www.remotecontrol.se)  
[info@remotecontrol.se](mailto:info@remotecontrol.se)



Remote Control  
[www.remotecontrol.de](http://www.remotecontrol.de)  
[info@remotecontrol.de](mailto:info@remotecontrol.de)



Remote Control  
[www.remotecontrol.co.uk](http://www.remotecontrol.co.uk)  
[info@remotecontrol.co.uk](mailto:info@remotecontrol.co.uk)



Remote Control  
[www.remotecontrol.com.sg](http://www.remotecontrol.com.sg)  
[info@remotecontrol.com.sg](mailto:info@remotecontrol.com.sg)



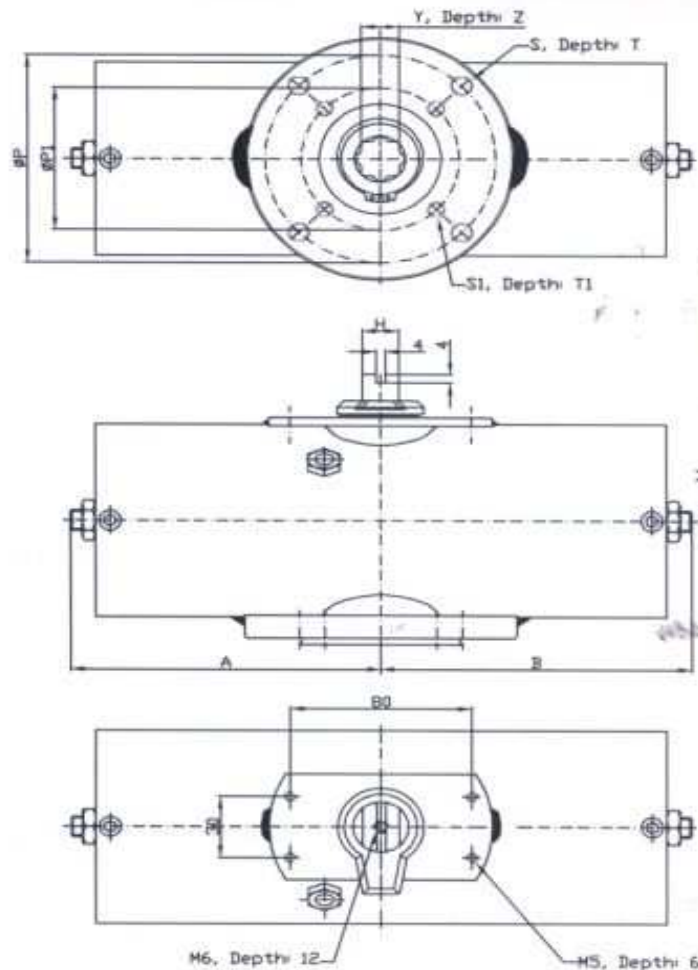
Remote Control  
[www.rciactuators.com](http://www.rciactuators.com)  
[sales@rciactuators.com](mailto:sales@rciactuators.com)

## Measurements RCC DA Design

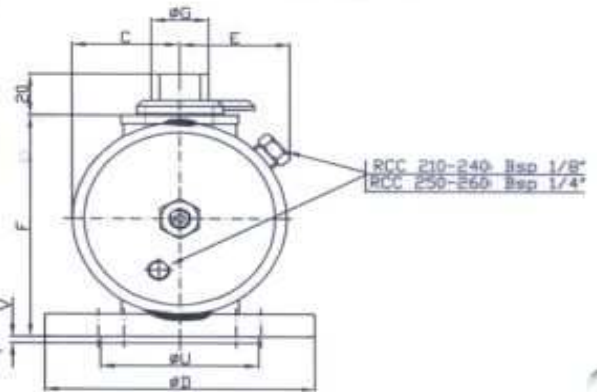
Actuator	N,FL	A	B	C	D	E	F	G	H	FL	P	S	T	FL	P1	S1	T1	U	V	Y**	Z
RCC 210 DA	F05	55	100	33	60	33	75	16	10	F05	50	M6	10	-	-	-	-	35	2	14	19
RCC 220 DA	F05	100	100	33	60	33	75	16	10	F05	50	M6	10	-	-	-	-	35	2	14	19
RCC 230 DA	F07	75	140	48	119	48	110	25	16	F10*	102*	M10*	16*	F07	70	M8	13	55	3	17	30
RCC 240 DA	F10	140	140	48	119	48	110	25	16	F10	102	M10	17	F07*	70*	M8*	13*	70	3	22	30
RCC 250 DA	F10	95	190	70	150	70	155	35	22	F12*	125*	M12*	21*	F10	102	M10	16	70	3	22	37
RCC 260 DA	F12	190	190	70	150	70	155	35	22	F12	125	M12	21	F10*	102*	M10*	16*	85	3	27	37

## Measurements RCC SR Design

Actuator	N,FL	A	B	C	D	E	F	G	H	FL	P	S	T	FL	P1	S1	T1	U	V	Y**	Z
RCC 210 SR	F05	55	160	33	60	33	75	16	10	F05	50	M6	10	-	-	-	-	35	2	14	19
RCC 220 SR	F05	160	160	33	60	33	75	16	10	F05	50	M6	10	-	-	-	-	35	2	14	19
RCC 230 SR	F07	75	205	48	119	48	110	25	16	F10*	102*	M10*	16*	F07	70	M8	13	55	3	17	30
RCC 240 SR	F10	205	205	48	119	48	110	25	16	F10	102	M10	17	F07*	70*	M8*	13*	70	3	22	30
RCC 250 SR	F10	95	280	70	150	70	155	35	22	F12*	125*	M12*	21*	F10	102	M10	16	70	3	22	37
RCC 260 SR	F12	280	280	70	150	70	155	35	22	F12	125	M12	21	F10*	102*	M10*	16*	85	3	27	37



- = Extra mounting holes on RCC 230-260 for alternative ISO/DIN hole pattern
- = Tolerance H9. The hole is octagonal and adapts to valve stems with squares both in 90° and 45° direction.



Remote Control  
[www.remotecontrol.se](http://www.remotecontrol.se)  
[info@remotecontrol.se](mailto:info@remotecontrol.se)



Remote Control  
[www.remotecontrol.de](http://www.remotecontrol.de)  
[info@remotecontrol.de](mailto:info@remotecontrol.de)



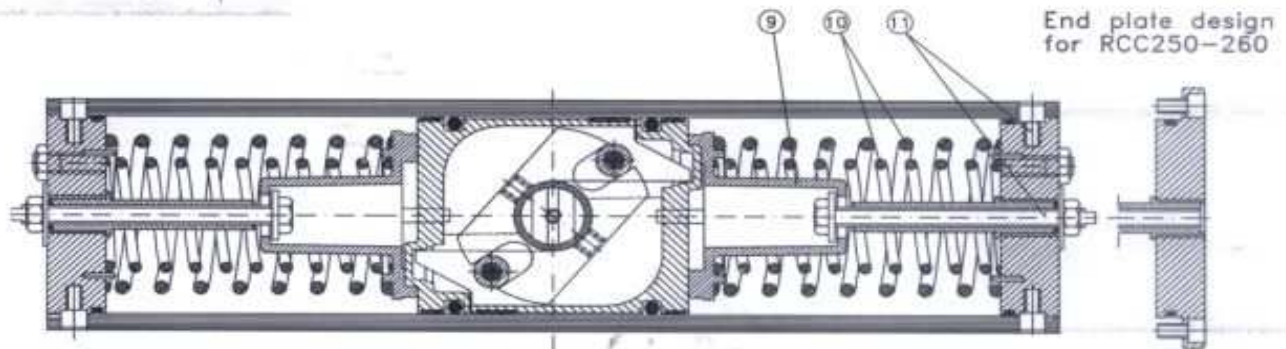
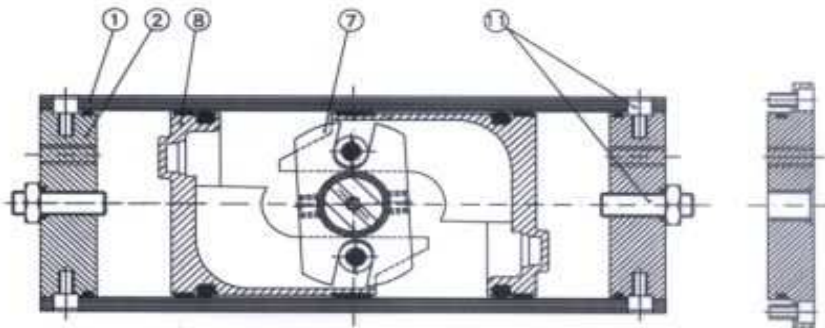
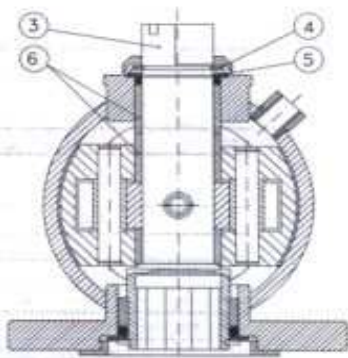
Remote Control  
[www.remotecontrol.co.uk](http://www.remotecontrol.co.uk)  
[info@remotecontrol.co.uk](mailto:info@remotecontrol.co.uk)



Remote Control  
[www.remotecontrol.com.sg](http://www.remotecontrol.com.sg)  
[info@remotecontrol.com.sg](mailto:info@remotecontrol.com.sg)



Remote Control  
[www.rciactuators.com](http://www.rciactuators.com)  
[sales@rciactuators.com](mailto:sales@rciactuators.com)



## Technical data

- |  |  |   |
|--|--|---|
| <p>1. <b>Cylinder</b><br/>Carbon steel, epoxy coated, internal teflon coated.</p> <p>2. <b>End plates</b><br/>Carbon steel, zink plated and epoxy coated.</p> <p>3. <b>Shaft</b><br/>Stainless steel<br/>ISO 683/XIII 17, ASTM 303</p> <p>4. <b>Circlips</b><br/>Carbon steel with corrosion protection treatment.</p> | <p>5. <b>Thrust washers</b><br/>POM (Delrin), middle washer in stainless steel.</p> <p>6. <b>Bearing and support ring</b><br/>POM (Delrin)<br/>Option: Tin bronze</p> <p>7. <b>Scotch yoke</b><br/>Carbon steel, hardened.</p> <p>8. <b>Piston</b><br/>Aluminium.<br/>Option: Anodized</p> | <p>9. <b>Spring steering</b><br/>Aluminium.<br/>ISO Al-Si 10 Mg, ASTM 356.<br/>Option: Anodized</p> <p>10. <b>Springs</b><br/>Spring steel, ball blasted, anti-corrosion protected.</p> <p>11. <b>Fastening and adjustment screws</b><br/>Stainless steel,<br/>ISO 683/XIII II, ASTM 304.</p> |
|--|--|---|

[www.remotecontrol.se](http://www.remotecontrol.se)



Remote Control  
[www.remotecontrol.se](http://www.remotecontrol.se)  
[info@remotecontrol.se](mailto:info@remotecontrol.se)



Remote Control  
[www.remotecontrol.de](http://www.remotecontrol.de)  
[info@remotecontrol.de](mailto:info@remotecontrol.de)



Remote Control  
[www.remotecontrol.co.uk](http://www.remotecontrol.co.uk)  
[info@remotecontrol.co.uk](mailto:info@remotecontrol.co.uk)



Remote Control  
[www.remotecontrol.com.sg](http://www.remotecontrol.com.sg)  
[info@remotecontrol.com.sg](mailto:info@remotecontrol.com.sg)



Remote Control  
[www.rciactuators.com](http://www.rciactuators.com)  
[sales@rciactuators.com](mailto:sales@rciactuators.com)

## RCC200-SR - Spring return actuator (Springs adapted to air pressure)

### TORQUE Nm

#### 4,1 bar/60 psi\*

Type	Air opens →			Spring closes →		
	0°	60°	90°	90°	30°	0°
RCC210-SR	14	6	7,5	12	8	8,5
RCC220-SR	29	12	15	25	12	17
RCC230-SR	54	23	29	47	23	33
RCC240-SR	110	47	58	96	47	66
RCC250-SR	170	74	90	150	74	100
RCC260-SR	345	150	180	305	150	210

### TORQUE Nm

#### 6 bar/87 psi\*

Type	Air opens →			Spring closes →		
	0°	60°	90°	90°	30°	0°
RCC210-SR	20	9	11	18	9	12
RCC220-SR	41	18	22	37	18	25
RCC230-SR	78	33	41	69	33	47
RCC240-SR	158	68	84	140	68	96
RCC250-SR	245	105	130	215	105	150
RCC260-SR	500	215	265	440	215	305

#### 5,5 bar/80 psi\*

Type	Air opens →			Spring closes →		
	0°	60°	90°	90°	30°	0°
RCC210-SR	18	8	10	16	8	11
RCC220-SR	38	17	20	34	16	23
RCC230-SR	72	30	38	63	30	43
RCC240-SR	145	63	77	129	63	88
RCC250-SR	225	97	120	198	97	138
RCC260-SR	460	198	244	405	198	281

#### 7 bar/100 psi\*

Type	Air opens →			Spring closes →		
	0°	60°	90°	90°	30°	0°
RCC210-SR	24	10	13	21	10	14
RCC220-SR	48	21	26	43	21	29
RCC230-SR	92	39	48	81	39	55
RCC240-SR	185	80	98	163	80	115
RCC250-SR	290	125	155	255	125	175
RCC260-SR	580	250	310	515	250	350

\* Springs adapted to air pressures above.

## RCC200-DA - Double acting actuator

### TORQUE Nm

#### 4 bar

Type	↔		
	0°	50°	90°
RCC210-DA	25	12	18
RCC220-DA	51	25	36
RCC230-DA	96	47	69
RCC240-DA	195	97	140
RCC250-DA	300	150	215
RCC260-DA	610	300	440

### TORQUE Nm

#### 6 bar

Type	↔		
	0°	50°	90°
RCC210-DA	38	19	27
RCC220-DA	76	38	54
RCC230-DA	145	72	105
RCC240-DA	290	145	210
RCC250-DA	450	225	320
RCC260-DA	910	460	650

#### 5,5 bar

Type	↔		
	0°	50°	90°
RCC210-DA	34	17	25
RCC220-DA	70	35	50
RCC230-DA	130	66	95
RCC240-DA	270	135	190
RCC250-DA	410	210	300
RCC260-DA	840	420	600

#### 7 bar

Type	↔		
	0°	50°	90°
RCC210-DA	44	22	32
RCC220-DA	88	44	63
RCC230-DA	165	83	120
RCC240-DA	340	170	240
RCC250-DA	530	260	380
RCC260-DA	1070	530	770

We reserve the right to alterations without previous notice.



Remote Control  
Kontrollvägen 15  
SE-791 45 FALUN  
Sweden  
Tel +46 (0)23-587 00  
Fax +46 (0)23-587 45  
www.remotecontrol.se  
info@remotecontrol.se



Remote Control  
Gutenbergstr. 22  
DE-41564 Kaarst-Büttgen  
Germany  
Tel +49 (0)2131-795 760  
Fax +49 (0)2131-795 7615  
www.remotecontrol.de



Remote Control  
Unit 40, Trent Valley Works,  
Station Road, Rugeley  
Staffordshire WS15 3HB  
England  
Tel +44 (0)1889-576 888  
Fax +44 (0)1889-577 676  
www.remotecontrol.co.uk



Remote Control  
67 Ubi Crescent, #01-07  
Techniques Centre  
Singapore 408560  
Tel +65 6848 7150  
Fax +65 6746 5815  
www.remotecontrol.com.sg



Remote Control  
PO Box 355  
388 Dry Bridge Rd  
North Kingstown, RI 02852  
USA  
Tel +1 (401) 294-1400  
Fax +1 (401) 294-3388  
www.rciactuators.com