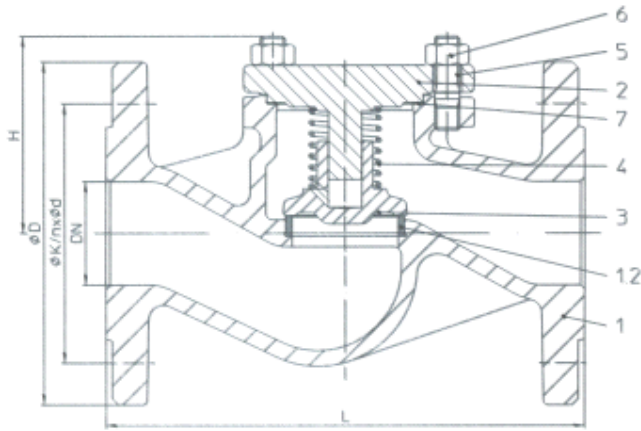


ARI-Check, made of cast iron, nodular iron and cast steel



Selection of possible applications:

- >industry
  - >Powerstations
  - >Flue gas purification plant
  - >Processing technology
  - >Gas supply
  - >Vapour facilities
  - >Thermal oil applications
  - >Recycling facilities
  - >Vacuum plant
  - >Amonia
  - >Hot water
  - >Heating plant
  - >Distric heating
  - >Cooling and freezing systems
  - >General plant manufacturing
  - >Steam systems
- Other application on request

Figure	Nominal pressure	Material	Nominal diameters
10.003	PN 6	GG-25	DN 15-200
12.003 / 303	PN 16	GG-25	DN 15-300
22.003 / 303	PN 16	GGG-40.3	DN 15-350
23.003 / 303	PN 25	GGG-40.3	DN 15-150
34.003 / 303	PN 25	1.0619+N	DN 15-500
35.003 / 303	PN 40	1.0619+N	DN 15-500

Weights (kg)

Figure No. (DN)	15	20	25	32	40	50	65	80	100	125	150	200	250	300	350	400	500
10003	2,4	2,9	3,5	4,8	6,4	8,2	12,2	18,6	27,0	42,0	67,0	112,0	-	-	-	-	-
12. 003	2,4	3,0	3,8	5,7	7,4	10,3	15,2	20,4	31,0	49,0	69,0	132,0	198,0	278,0	-	-	-
22. 003	3,5	4,0	5,0	6,0	8,0	11,0	16,0	21,0	31,0	49,0	69,0	132,0	198,0	278,0	383,0	-	-
23. 003	3,5	4,0	5,0	6,0	8,0	11,0	16,0	21,0	32,0	51,0	70,0	-	-	-	-	-	-
34. 003	3,8	4,9	5,9	7,1	10,4	12,3	22,7	28,5	40,0	64,0	90,0	160,0	222,0	337,0	461,0	709,0	989,0
35. 003	3,8	4,9	5,9	7,1	10,4	12,3	22,7	28,5	40,0	64,0	90,0	170,0	240,0	374,0	508,0	786,0	1044,0

Pressure temperature classification										
Material	PN	Temperature								
		-60°C till <-10°C*	-10°C	120°C	200°C	250°C	300°C	350°C	400°C	450°C
GG-25	6	-	6 bar	6 bar	5 bar	5 bar	5 bar	-	-	-
GG-25	16	-	16 bar	16 bar	13 bar	11 bar	10 bar	-	-	-
GGG-40.3	16	-	16 bar	16 bar	13 bar	13 bar	13 bar	10 bar	-	-
GGG-40.3	25	-	25 bar	25 bar	20 bar	18 bar	16 bar	15 bar	-	-
1.0619+N / C22.8	25	12,5 bar	25 bar	25 bar	22 bar	20 bar	17 bar	16 bar	13 bar	10 bar
1.0619+N / C22.8	40	20 bar	40 bar	40 bar	35 bar	32 bar	28 bar	24 bar	21 bar	18 bar

Material	PN	Temperature								
		-60°C till <+20°C*	20°C	100°C	150°C	200°C	250°C	300 °C	350°C	400°C
1.4408	16	8 bar	16 bar	13 bar	11,5 bar	10,5 bar	9,5 bar	9 bar	8,3 bar	8 bar
1.4408	25	12,5 bar	25 bar	20 bar	18 bar	16 bar	15 bar	14 bar	13 bar	12,5 bar
1.4408	40	20 bar	40 bar	32 bar	29 bar	26 bar	24 bar	22 bar	21 bar	20 bar